

Water Treatment



OLIMPIA

SOLENOID DOSING PUMPS



Main characteristics

- **Flow rates: from 0.2 to 5 l/h**
- **Max Pressure: up to 7 bar (101.5 psi)**
- **Power supply:**
 - 230 Vac 50/60 Hz
 - 24 Vac on request
- **Stroke rate: from 20 up to 160 strokes/minute**
- **Pump head: PVDF-C**
- **Diaphragm: PTFE**
- **External Enclosure: PP + fiber glass**
- **Protection degree: IP65**
- **Installation kit: included**

Water Treatment



Performance data

PERFORMANCES TEST HAS BEEN DONE AT AMBIENT TEMPERATURE, WITH WATER, AT 1,5 mt SUCTION HEIGHT

OL. LOW NOISE

FLOW RATE	PRESSURES	CC/IMP.	CONNECTIONS	STROKES/MIN.	DIMENSIONS	PROTECTION	WEIGHT	ABSORPTION	POWER SUPPLY
0,2 l/h	1 bar	0.17	4x6	20	175 x 86 x 116	IP65	1,5 Kg	14 W	110-240 Vac

OL. LOW FLOW

FLOW RATE	PRESSURES	CC/IMP.	CONNECTIONS	STROKES/MIN.	DIMENSIONS	PROTECTION	WEIGHT	ABSORPTION	POWER SUPPLY
0,6 l/h	7 bar	0.10	4x6	100	175 x 86 x 116	IP65	1,5 Kg	14 W	110-240 Vac

OL.BP

FLOW RATE	PRESSURES	CC/IMP.	CONNECTIONS	STROKES/MIN.	DIMENSIONS	PROTECTION	WEIGHT	ABSORPTION	POWER SUPPLY
5 l/h	5 bar	0.52	4x6	160	175 x 86 x 116	IP65	1,5 Kg	14 W	110-240 Vac
2 l/h	7bar	0.33	4x6	100	175 x86 x 116	IP65	1,5 Kg	14 W	110-240 Vac

Main applications

- Car wash
- Cooling Tower
- Potable water
- Reverse osmosis
- Swimming pool

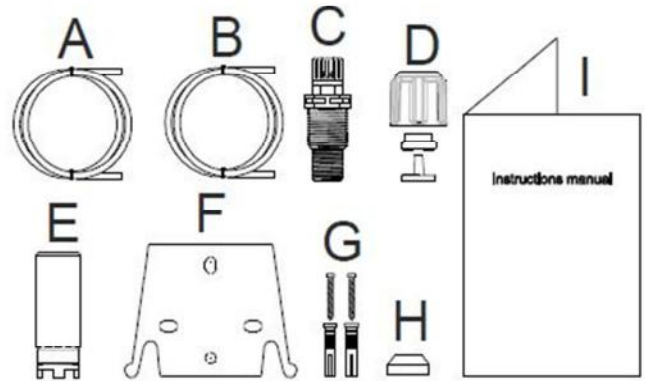


Water Treatment




Installation Kit

- A. Opaque hose for connecting the pump's outlet to the injection point
- B. Transparent hose for suction and for connecting the bleeding valve up for manual priming
- C. Injection fitting
- D. Hose connection kit
- E. Bottom filter
- F. Wall mounting bracket
- G. Anchors for securing the pump to the wall
- H. Screw protection caps
- I. Instructions Manual





Accessories

AC.SL	
	<ul style="list-style-type: none"> • Floating level probe with bipolar cable (2 mt) with support

AC.VS	
	<ul style="list-style-type: none"> • Back-pressure valve up to 10 bar • PTFE diaphragm

AC.VM PVDF	
	<ul style="list-style-type: none"> • Multifunction valve, anti-siphon, backpressure, safety • PVDF body, PTFE membrane • Adjustable Pressure 0-5 bar • Relief Pressure 0-18 bar

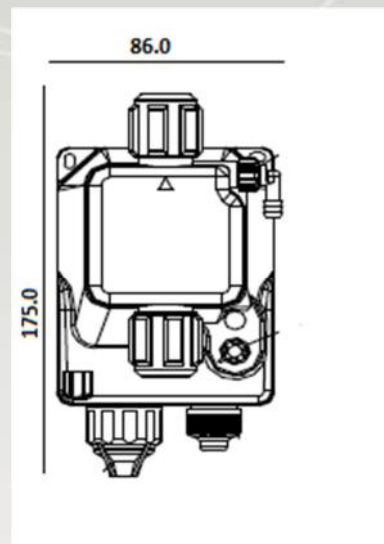
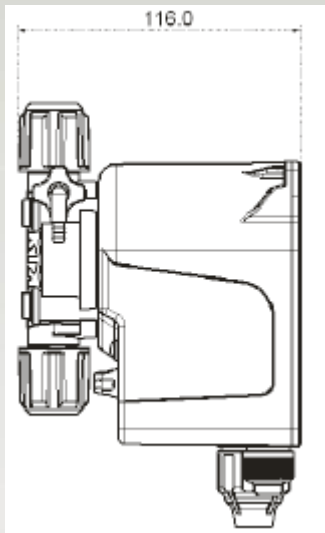
AC.VIE	
	<ul style="list-style-type: none"> • Extractable injection valve PVC 1/2" g.m. IN - 1/2" g.m. OUT
	<ul style="list-style-type: none"> • Extractable injection valve with ball valve PVC 1/2" g.m. IN - 1/2" g.m. OUT

PRIMING AID	
	<ul style="list-style-type: none"> • Capacity: 300 ml • PVC body • FPM seals • Connections: 4x6mm - 8x12mm

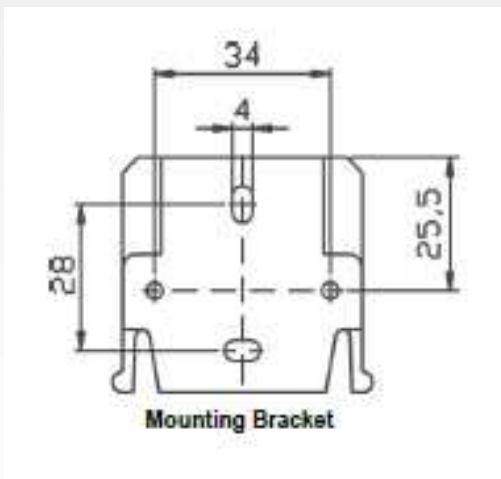
Water Treatment



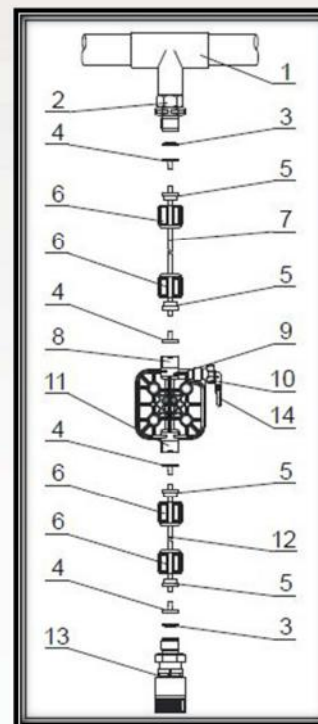
Dimensional drawings



Fixing templates



Plumbing



- 1-Point injection
- 2-Fitting injection
- 3-Seal
- 4-Pipe holder
- 5-Pipe clamp
- 6-Ring nut
- 7-Delivery hose
- 8-Delivery valve
- 9-Body Pump
- 10-Valve bleed
- 11-Suction valve
- 12-Suction hose
- 13-Filter bottom
- 14-Connector bleed valve